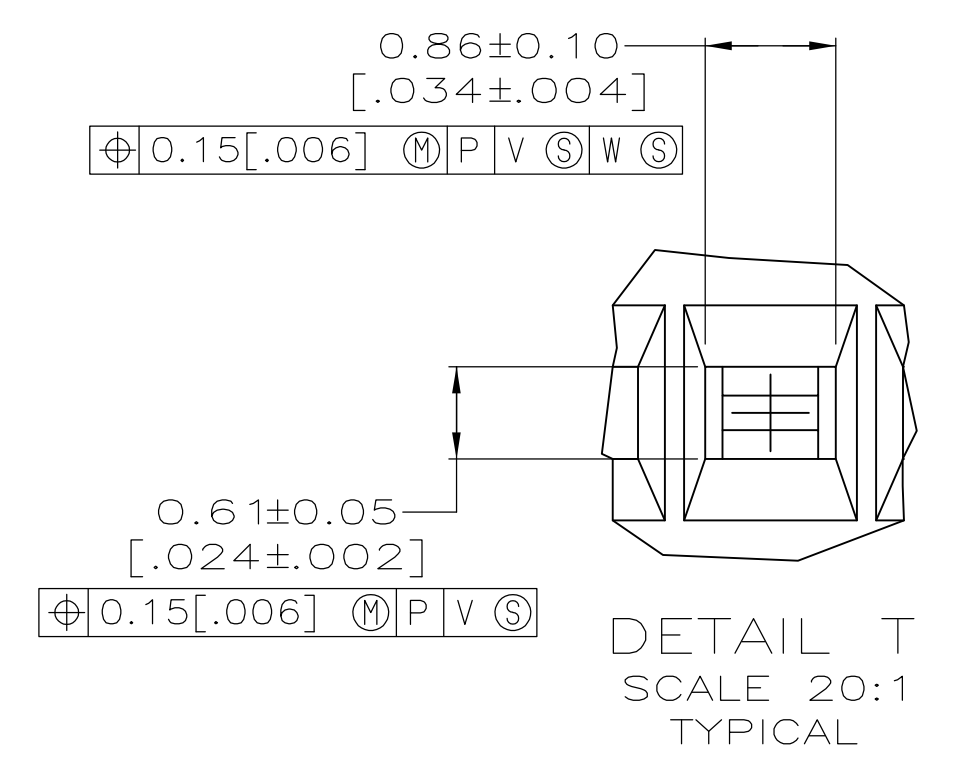
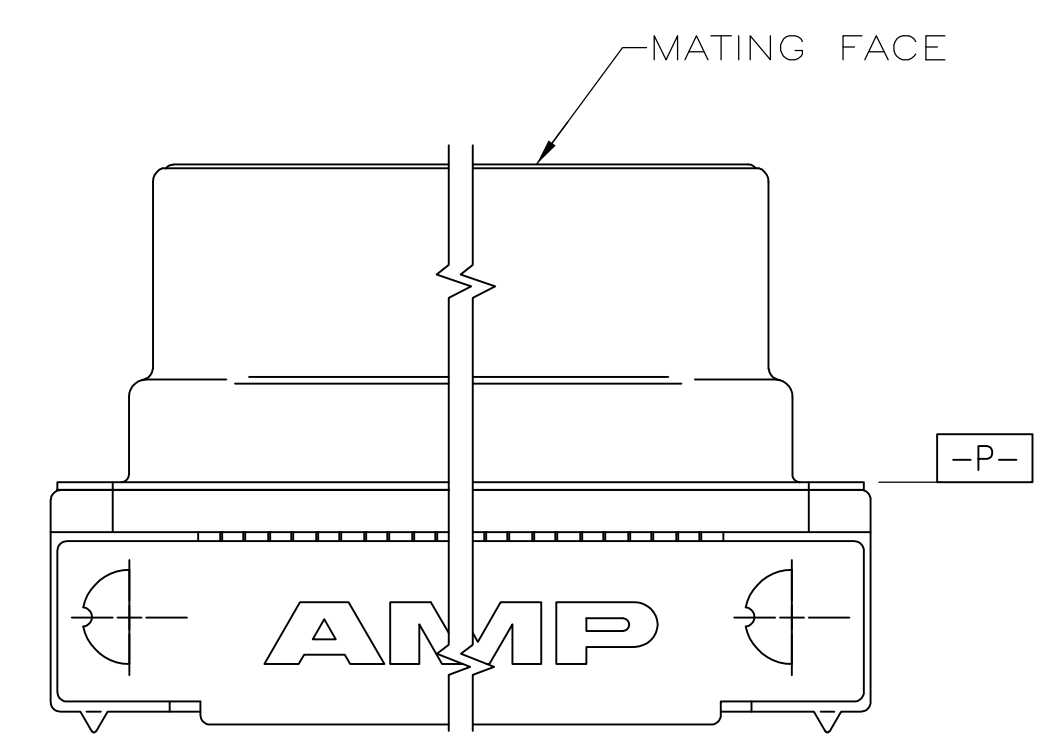
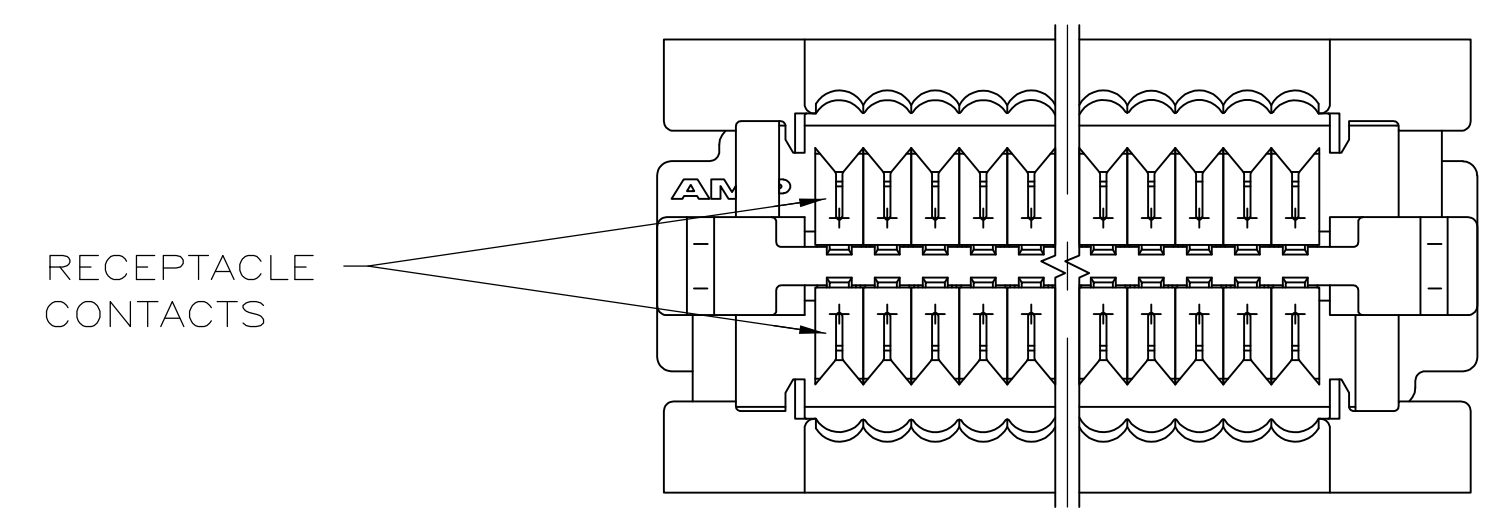
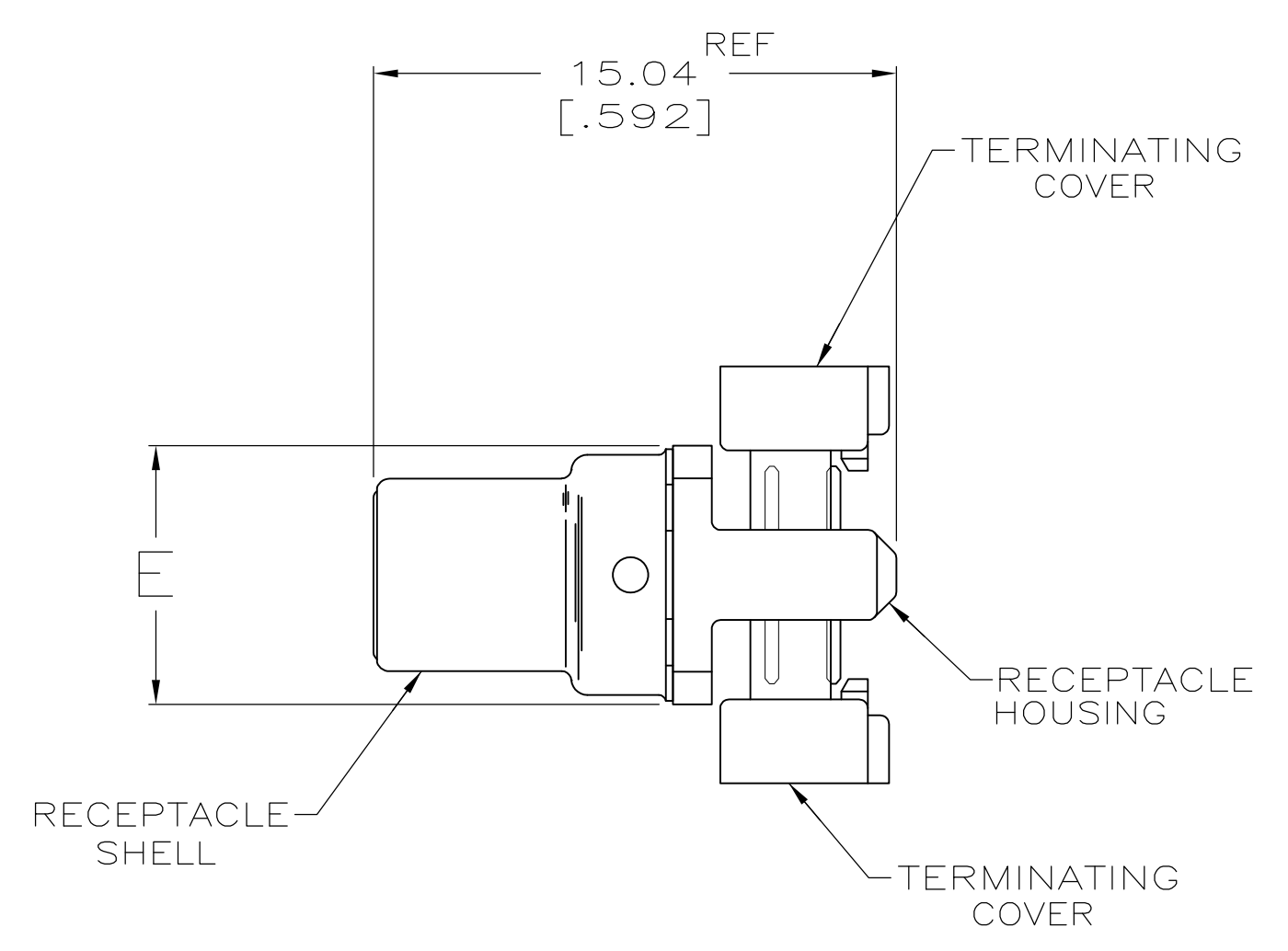
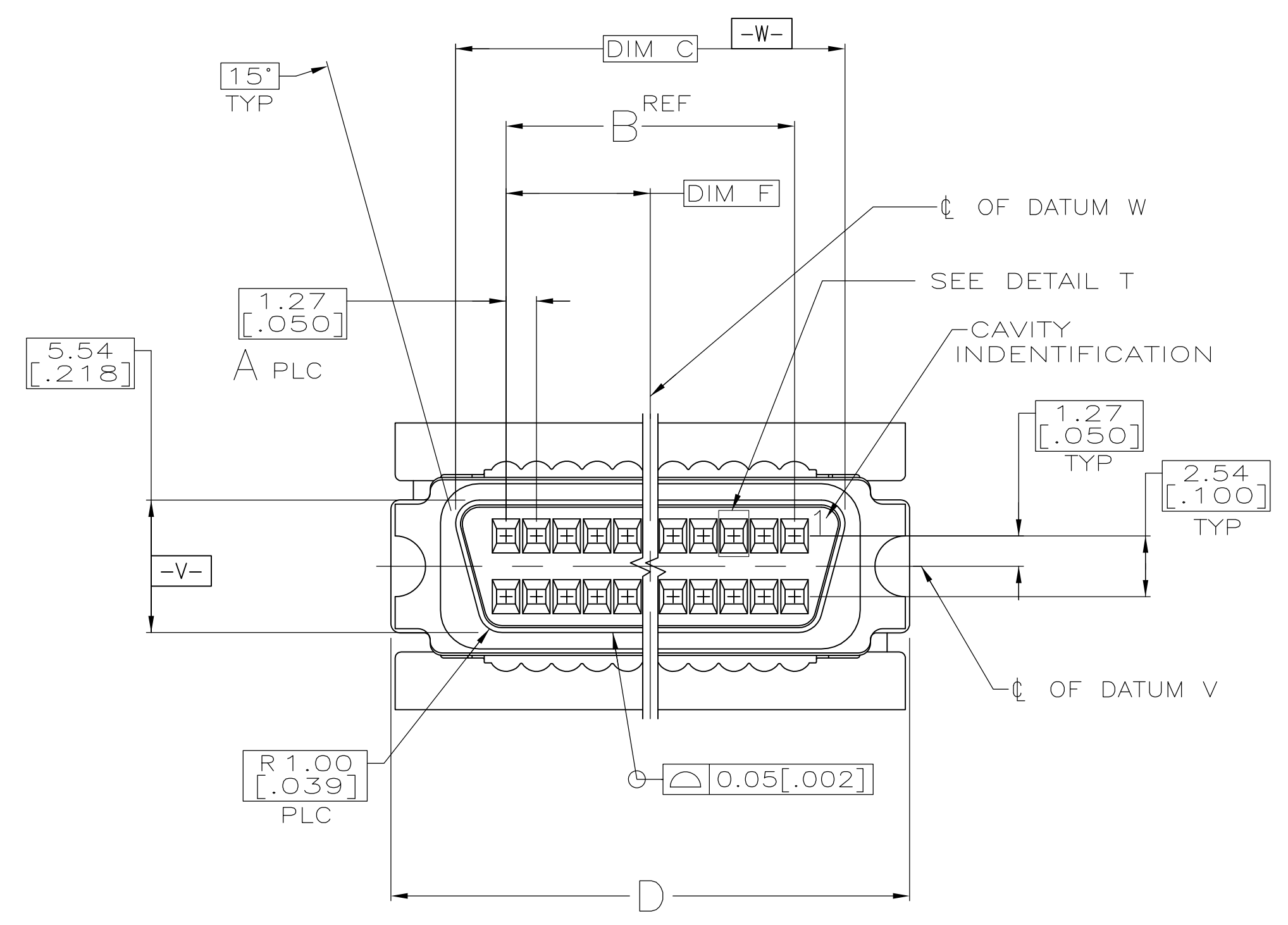


LOC		DIST		REVISIONS			
F	LTR	DESCRIPTION	DATE	DWN	APVD		
C		REVISED PER ECO-11-001216	08FEB2011	CJV	SLB		



- 1 MATERIAL:
 RECEPTACLE CONTACTS - PHOSPHOR BRONZE
 RECEPTACLE SHELL - STEEL
 RECEPTACLE HOUSING AND TERMINATING COVERS - UL V-0 RATED THERMOPLASTIC, COLOR: BLACK.
- 2 PLATING:
 RECEPTACLE CONTACTS - EITHER 0.76µm [.000030] MINIMUM GOLD PLATE OR GOLD FLASH OVER PALLADIUM NICKEL PLATE 0.76µm [.000030] MIN TOTAL IN CONTACT AREA, 1.27µm [.000050] MINIMUM BRIGHT TIN PLATE IN TERMINATION AREA, ALL OVER 1.27µm [.000050] MINIMUM NICKEL.
 RECEPTACLE SHELL - 5.08µm [.000200] MINIMUM BRIGHT TIN PLATE OVER 1.27µm [.000050] MINIMUM COPPER.
3. RECOMMENDED WIRE: 28 AWG OR 30 AWG, SOLID OR 7 STRANDED, PVC INSULATION, WITH A 0.74-0.91 [.029-.036] INSULATION DIA.

**COPYRIGHT 2005
 TYCO ELECTRONICS CORP
 ALL RIGHTS RESERVED**

20.96 [.825]	7.44 [.293]	51.54 [2.029]	46.13 [1.816]	41.91 [1.650]	33	68	5749210-7
15.24 [.600]	7.44 [.293]	40.11 [1.579]	34.70 [1.366]	30.48 [1.200]	24	50	5749210-5
F	E	D	C	B	A	NO OF POSN	PART NO
THIS DRAWING IS A CONTROLLED DOCUMENT.							
DIMENSIONS: mm [INCHES]		TOLERANCES UNLESS OTHERWISE SPECIFIED:		APVD M. WALMSLEY 02-23-05		Tyco Electronics Corporation Harrisburg, PA 17105-3608	
0 PLC ± -		1 PLC ± -		NAME M. WALMSLEY		RECEPTACLE ASSEMBLY, CABLE CONNECTOR, .050 SERIES, AMPLIMITE	
2 PLC ± -		3 PLC ± -		PRODUCT SPEC 108-1228		SIZE A1	
4 PLC ± -		ANGLES ± -		APPLICATION SPEC 114-40029		CAGE CODE 5749210	
MATERIAL 1		FINISH 2		WEIGHT -		RESTRICTED TO -	
CUSTOMER DRAWING				SCALE 5:1		SHEET 1 OF 1	